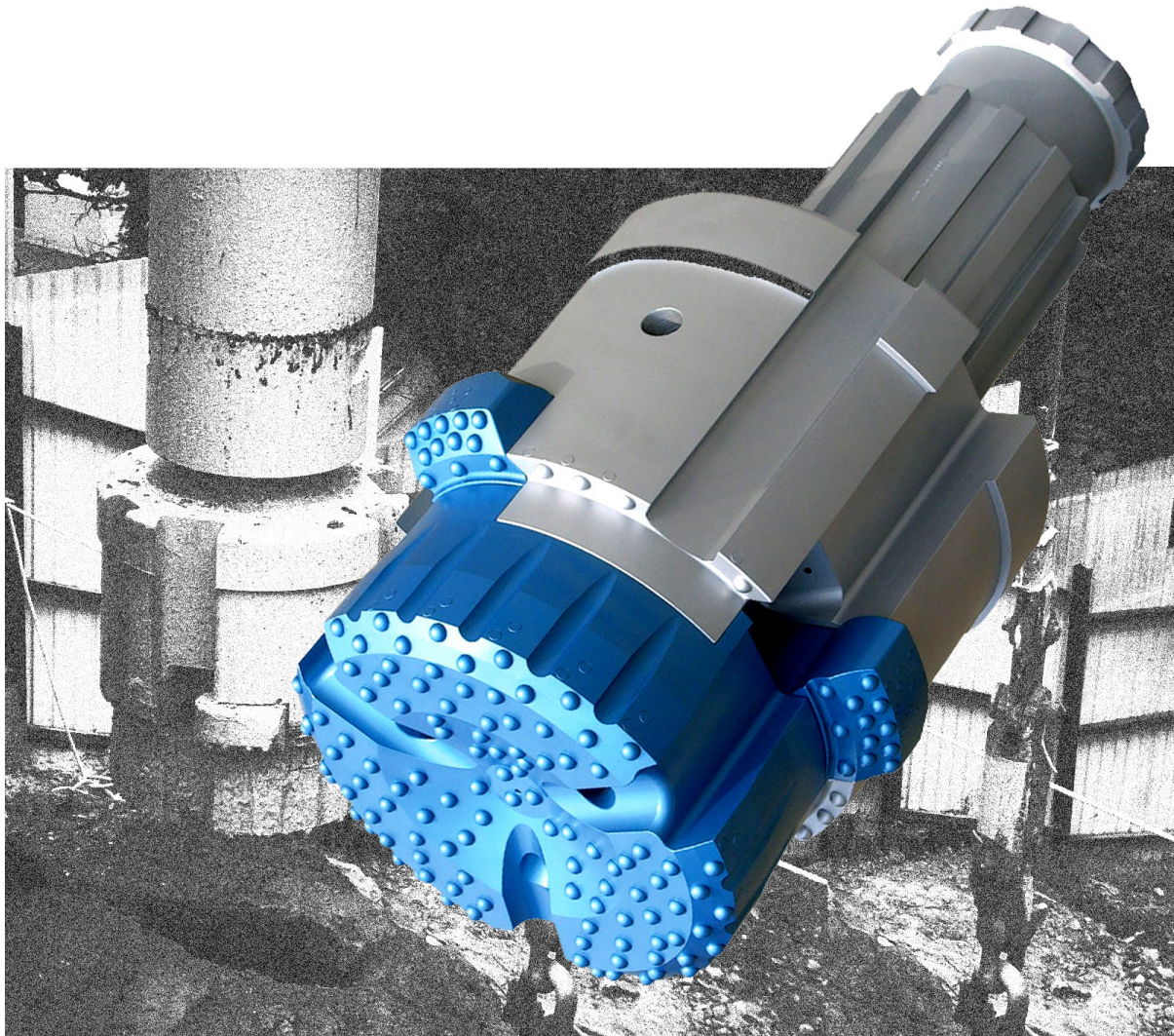


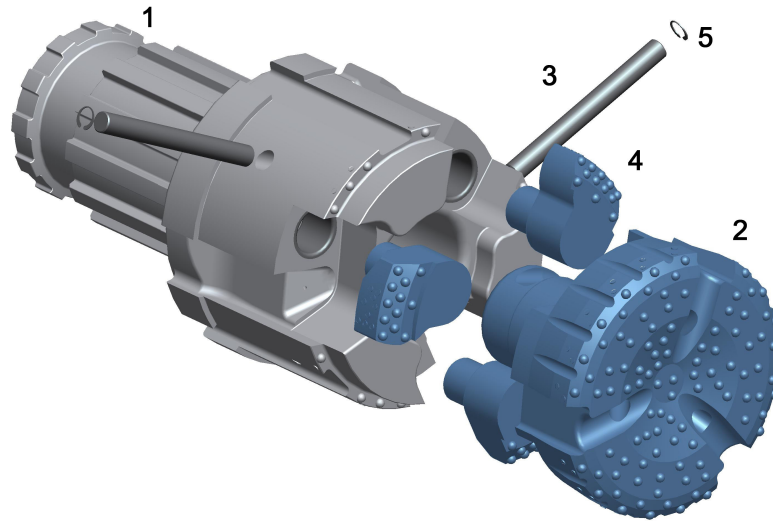
PITUMEC

THE PCON 560 CONCENTRIC UNDERREAMING SYSTEM



CASING SIZE 610MM OD X 584MM ID DRILLING DIA. 635MM

PNEUMEC PCON 560 CONCENTRIC UNDERREAMING SYSTEM



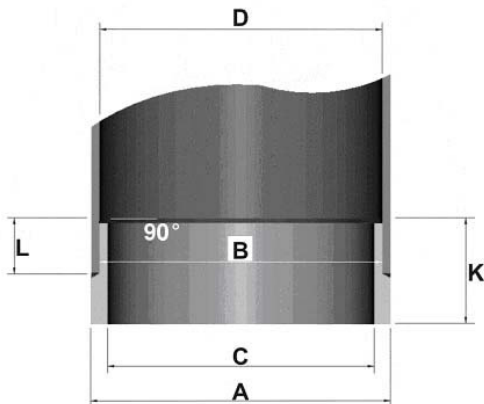
PCON 560 PARTS LIST

1.	GUIDE DEVICE N180 SHANK	UGD560N18PCN
2.	PILOT BIT	UPB560PCN
3.	LOCKING PIN (2)	USP56050PCN
4.	REAMER (3)	UBS560PCN
5.	CIRCLIP (2)	USP56053PCN
6.	COMPLETE SYSTEM	UCS560N18PCN

PCON 560 SPECIFICATIONS

UPPER BODY DIAMETER	581MM	CLOSED DIAMETER	560MM
REAMING DIAMETER	635MM	CASING SIZE	610MM OD X 584MM ID
SYSTEM LENGTH	1180MM	SYSTEM WEIGHT	1450KG

PCON 560 CASING SHOES



DIA. A	610MM
DIA. B	583.2MM
DIA. C	561.5MM
DIA. D	584.2MM
L	105MM
K	195MM

PNEUMEC

PNEUMEC COMPANY LIMITED

1st Floor, Tin On Sing Comm. Bldg., 41-43 Graham St. Central, H.K.

Tel : (852) 2180 9922

Fax : (852) 2180 9982

Website : www.pneumec.com

email : info@pneumec.com